



DB25/25A



DB80



DB200

Separate mounting kits

For O/L relays	Amps	Catalog number	
TA25DU	0.1 – 25	DB25/25A	
TA25DU	24 – 32	DB25/32A	
TA42DU, TA75DU, TA80DU	18 – 80	DB80	
TA110DU, TA200DU	100 – 200	DB200	

Terminal block – AWG #8 cable

Mounting on:	Catalog number	
TA25DU (25A or less) or DB25/25A	DX25	

LC terminal blocks can be used to convert standard connections into Faston connections: 2 x 6.3mm or 4 x 2.8mm per pole. The connections are protected against accidental contact.

The LC30-T has a terminal block for the 3 power terminals and a second for the 4 auxiliary terminals of a TA25DU thermal O/L relay.

The LC26-B1 has two identical terminal blocks each for 3 power terminals. This block allows the power terminals to be mounted with two DB25 kits or a TA25DU thermal O/L relay and DB25 kit assembly.

NOTE: According to DIN 46429 part 1 and NFC 20-120 the max. capacity of a Faston connection is 25 A.

Mounting kit – for TA450 overload relay

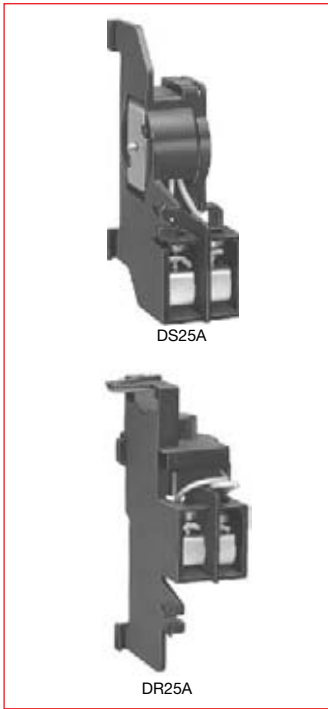
For contactor	Catalog number	
A145 – A185	DT450/A185	
A210 – A300	DT450/A300	

Terminal shrouds – for contactors and overload relays

Contactor	Overload relay	Catalog number	
A9 – A16 A26 – A40	TA25DU	Included	
A30 – A40	TA42DU	Included	
A50 – A75	TA75DU	Included	
A95 – A110	TA80DU TA110DU	Included	
A145 – A185	TA200DU	LT185-AY	
A145 – A185	Load side of TA200DU	LT200A185	

Terminal lug kits

Wire range	For overloads	Catalog number	
6 – 250MCM	TA110DU, TA200DU	EHTK210	
4 – 400MCM	TA450DU185	ATK300HK	
(2) 4 – 500MCM	TA450DU310	ATK300/2HK	



Remote tripping coils

	U voltage at 50/60 Hz	Catalog number ①
DS25-A remote tripping coil	24V	DS25-A-24 DS25-A-48 DS25-A-110 DS25-A-220/380 DS25-A-500
	48V	
	110V	
	220/380V	
	500V	
DS25-A remote resetting coil	24V	DR25-A-24 DR25-A-48 DR25-A-110 DR25-A-220/380 DR25-A-500
	48V	
	110V	
	220/380V	
	500V	

Application

• The DS25-A coil is used for remote electrical tripping of the TA25 DU thermal O/L relay and is connected to the relay's normally closed 95-96 auxiliary contact.

• The DR 25-A coil is used for remote electrical resetting of the TA25DU thermal O/L relay which is adjusted for "Manual resetting;" it is connected to the relay's normally open 97-98 auxiliary contact.

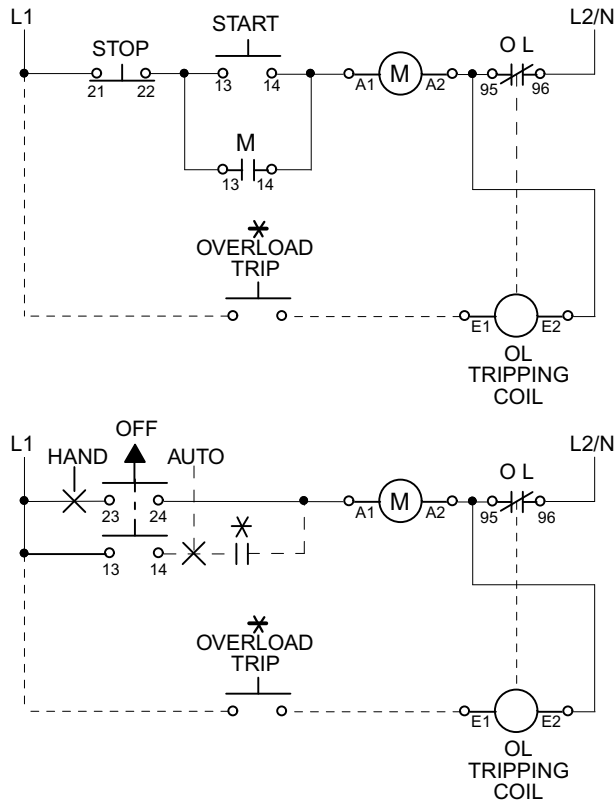
The coils are not designed for continuous duty. Impulse duration: 0.2 to 0.35 s.

Set the button to "Man" (Manual resetting).

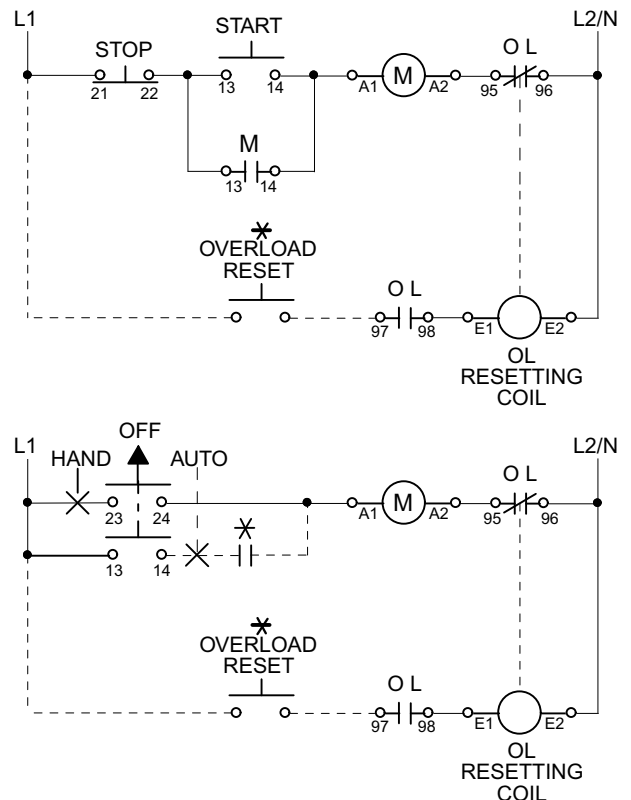
Mounting: clipped on to TA25DU thermal O/L relay.

Installation diagrams

For connection of DS25-A to TA25DU relay



For connection of DR25-A to TA25DU relay



① Cannot be used with TA42, TA75, or TA200 overload relays.